



BIT CUTTERS

CTP Bit Cutters are created using a 4140 steel body and a tungsten carbide tip for high wear and impact resistance. Whether milling asphalt or concrete roads, our bit cutters offer outstanding fracture resistant toughness to keep your project running smoothly.

Bit Cutter Part No.	Holder Part No.	Machine Models
1402864	1519941	PM-201, PM-465, PM-565, RM-250C, RM-350, RR-250, SS-250B
2227570	2414559	PM310, PM312, PM313, PM620, PM622, PM820, PM822, PM825, RM-500
2227571	4861915	PM-201, PM310, PM-565, PM620, PM622, PM820, PM822, RM-500, T15, T6B, T9
3507198	1519941	PM-200, PM-201, PM310, PM620, PM622, RM-350B, RM-500
1173884	1174076	RM-250C, RM-300, RM-350B, RM-500, SS-250B
4153935	1519941	PM-200, PM-201, PM310, PM-565, PM620, PM622, RM-300, RM-500

Reference Chart*

Part No.	Dimensions (mm)							
	A	B	C	D	E	F	G	H
1402864	87	46	15	38	17	20	--	--
2227570	88	45	16	34	17	20	44	4
2227571	88	45	13	32	13	20	44	4
3507198	86	45	10	38	20	24	--	--
1173884	83	43	9	38	15	20	--	--
4153935	88	44	14	36	24	20	44	4

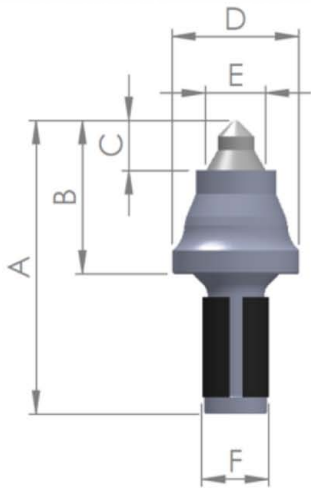


* Refer to diagrams on second page.

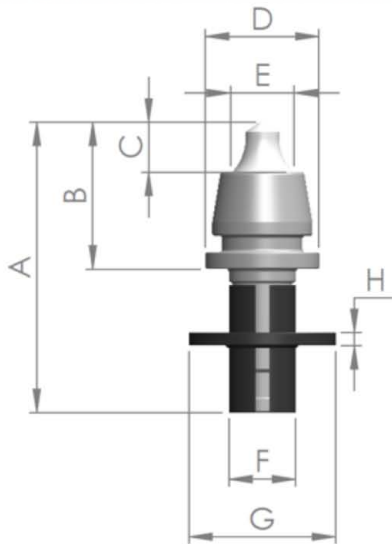
** Other part no. not included in the list are available. Please contact your sales representative if you have any questions. Part Numbers are used for reference purposes only



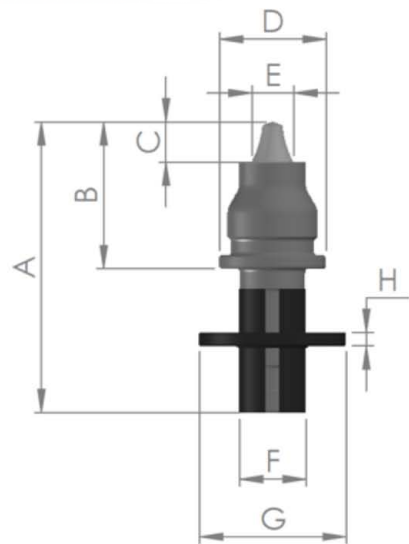
1402864



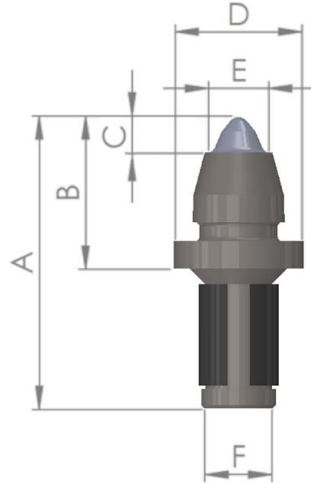
2227570



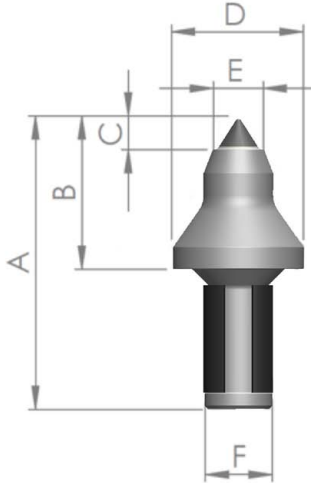
2227571



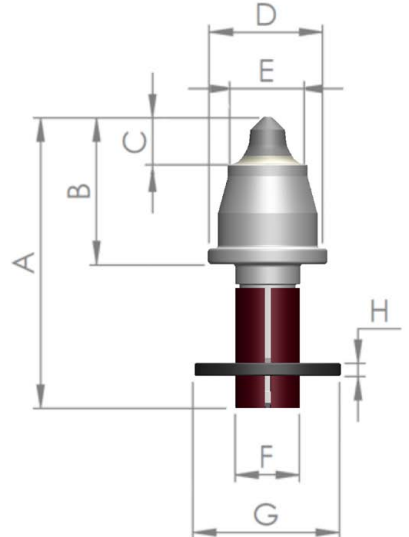
3507198



1173884



4153935



** Other part no. not included in the list are available. Please contact your sales representative if you have any questions.
Part Numbers are used for reference purposes only