



ABC GASKET KIT PROGRAM

CTP has added more gasket kits to its ABC program. Our ABC booklet has been updated to show the latest developments covering more engine arrangements than before. Check out our [new booklet](#).

The ABC Gasket kit Program is designed to consolidate, identify and organize all the seals and gaskets needed to complete a particular engine repair. Kits are packed into sub kits (Front set, rear set, lower set, etc.) inside the gasket kit for easy identification.

How to choose from the different sets of kits:

- A** = Out of Frame Overhaul Set
- B** = Inframe Overhaul Set
- C** = Cylinder Head Replacement Set (Single / Multiple)

Other options are identified with the letters D or E.

The part numbers are designated as follows:

CTP + engine number + Consecutive Number + ABC
(D or E suffix if available).

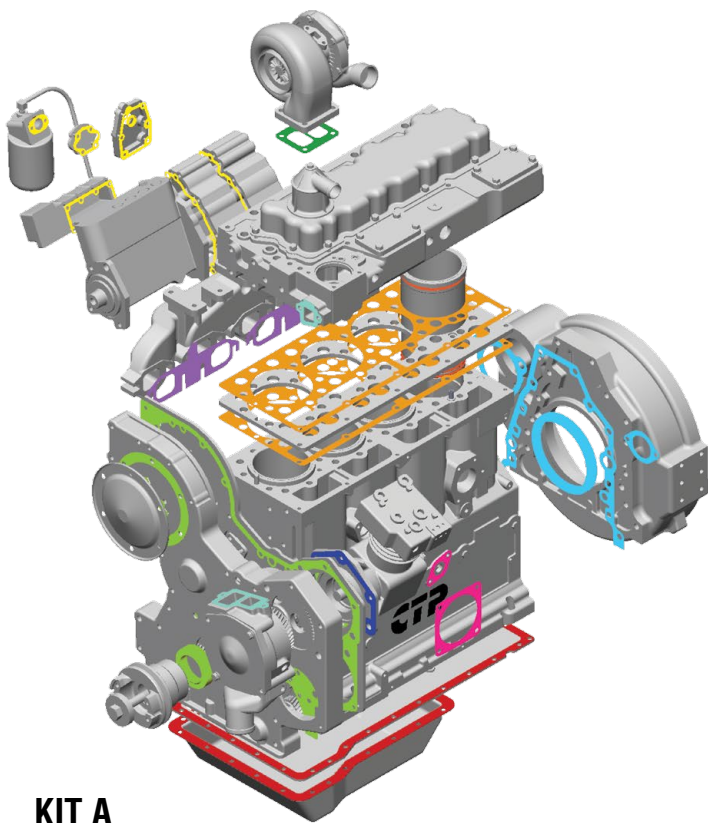
What's new?

Now we cover more engines and more arrangement numbers. We have developed brand new Gasket Kits for the following engines:

- | | | |
|--------|--------|--------|
| ✓ C7 | ✓ C18 | ✓ 3408 |
| ✓ C9 | ✓ 3116 | ✓ 3412 |
| ✓ C9.3 | ✓ 3126 | ✓ 3456 |
| ✓ C11 | ✓ 3306 | ✓ D353 |
| ✓ C13 | ✓ 3406 | |

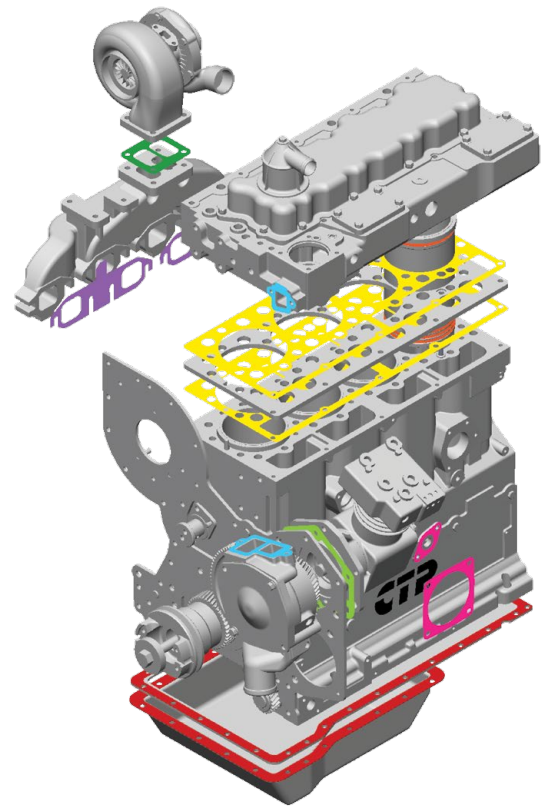
We have also included Cylinder Torque Specifications for the most popular applications to make your repair happen.

HOW CAN YOU FIND THE ABC GASKET KIT YOU NEED?



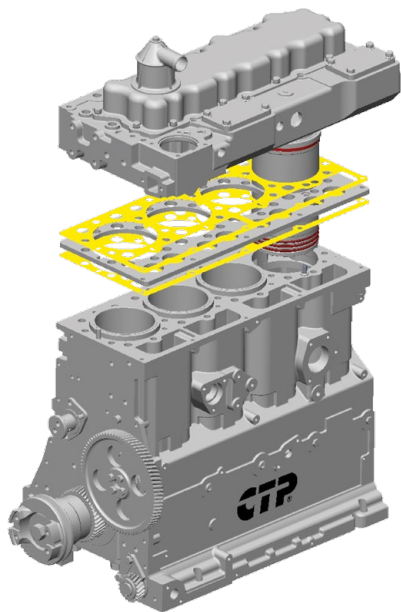
KIT A

- Air Inlet Manifold Set
- Front Cover Kit
- Rear Cover Kit
- Cylinder Head Kit
- Oil Cooler 8 Lines Set
- Lower 8 Central Structure Kit
- Fuel System Set
- Turbo Charger Kit
- Cylinder Liner Kit
- Air Compressor Set
- Water Pump Set



KIT B

- Air Inlet Manifold Set
- Air Compressor Set
- Water Pump Set
- Lower 8 Central Structure Kit
- Turbo Charger Set
- Cylinder Liner Kit
- Cylinder Head Kit
- Oil Cooler 8 Lines Set



KIT C

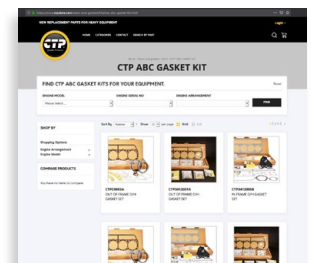
- Cylinder Liner Kit
- Cylinder Head Kit

We offer you 3 different presentations you may choose from. We invite you to explore and use the one that you find useful.

www.costex.com



Online ABC Catalog



ABC Database

The images and content displayed on this booklet are protected by copyright and other applicable laws and are the property of Costex Tractor Parts. They are made available for viewing solely for demonstration and illustrative use purposes only and may not be copied, reproduced, downloaded, modified, displayed or distributed in any way without the prior written permission of Costex Tractor Parts.