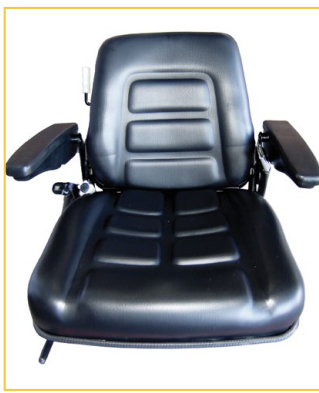




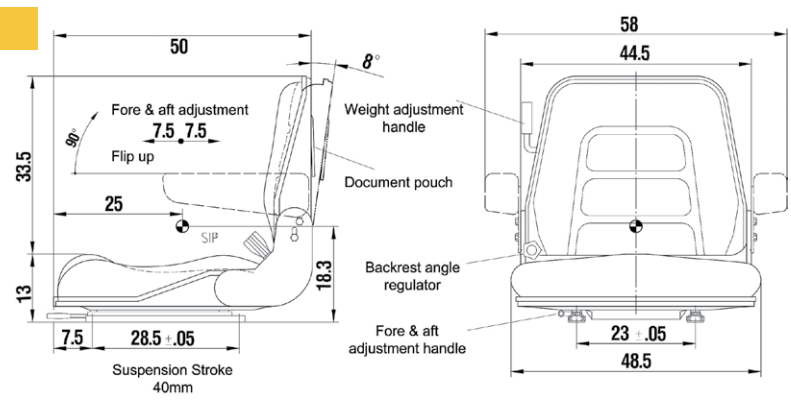
SEATS Enhancing the Operator's Comfort

CTP Seats now include more features to enhance the operator's comfort!
(seats only for heavy equipment)



CTP906A

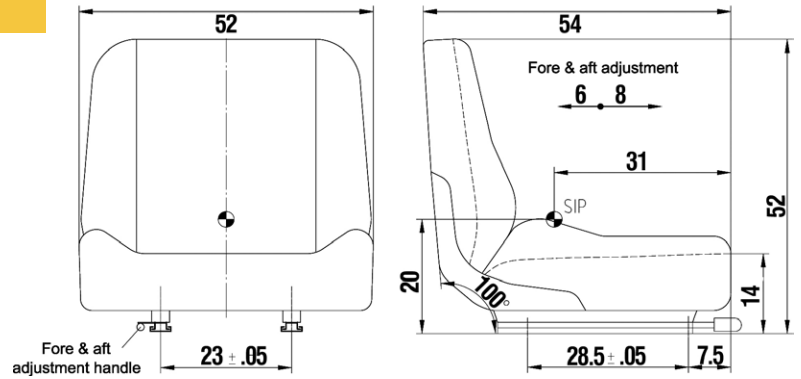
- Adjustable armrest, flip up
- Weight Adjustment
- Fore and Aft Adjustment Handle
- Document Pouch
- Backrest Angle regulator





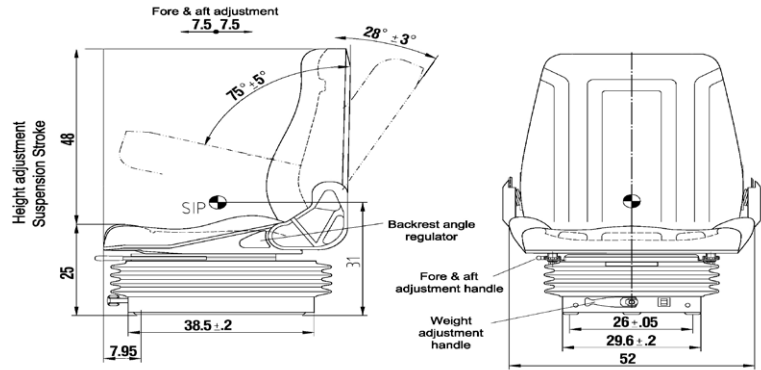
CTP906B

- Fore and Aft Adjustment Handle



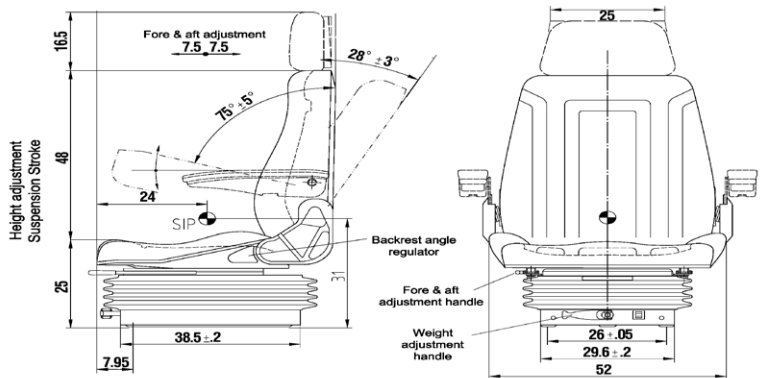
CTP906C

- Backrest Angle Regulator
- Weight Adjustment
- Height Adjustment
- Suspension Included
- Backrest angle regulator up to 28°
- Fold Forward Seat
- Durable Vinyl
- Option for headrest (see CTP906D)



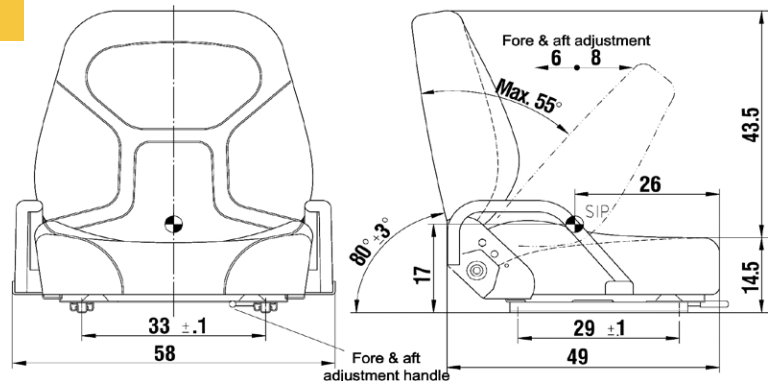
CTP906D

- Weight Adjustment
- Height Adjustment
- Suspension Stroke
- Backrest angle regulator up to 28°
- Fold Forward Seat
- Fore and Aft Adjustment handle
- Adjustable armrest
- Headrest



CTP906E

- Fold Forward Max. 55°



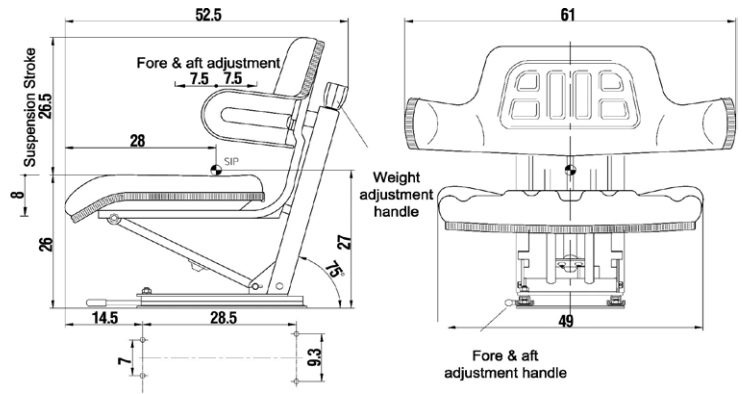
†All Measurements in CM

Quality with Value Guaranteed™



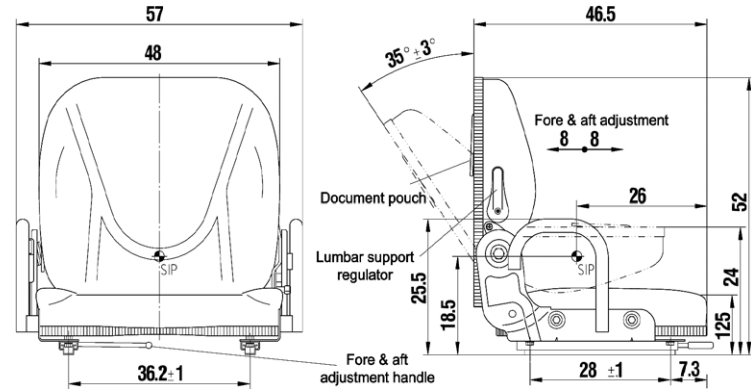
CTP906F

- Integral One piece back foam and PVC trim
- Wraparound back
- Adjustable installation angle between the base plate and back
- Slide rail or plate for Fore and Aft adjustment



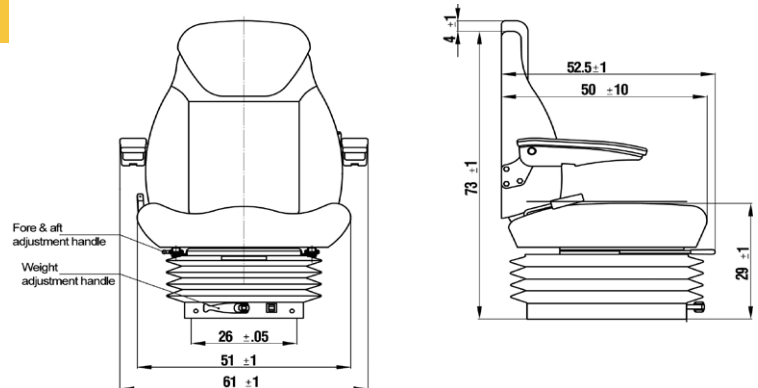
CTP906G

- Document Pouch
- Lumbar Support Regulator
- Fore and Aft Adjustment Handle
- Fold Forward Seat
- Backrest up to 35 Degrees



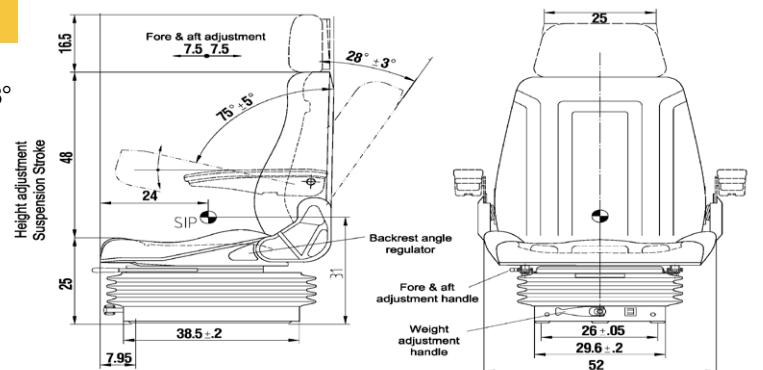
CTP906H

- Headrest
- Flip Up & Adjustable Armrest
- Vinyl Upholstery
- Adjustable Upper Backrest
- Height Adjustment
- Mechanical Suspension
- Adjustable Back Rest, up to 80°
- Weight Adjustment
- Fold Forward Max. 55°
- Slides for Fore and Aft Adjustable



CTP906I

- Mechanical Suspension
- Backrest angle regulator up to 28°
- Weight Adjustment
- Height Adjustment
- Fold Forward Seat
- Fore and Aft Adjustment handle
- Adjustable armrest
- **Swivel Plate 360°**

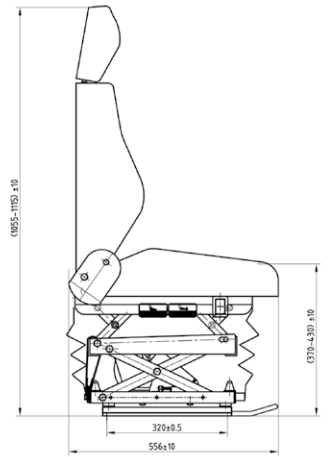
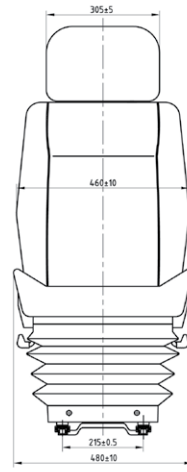


†All Measurements in CM



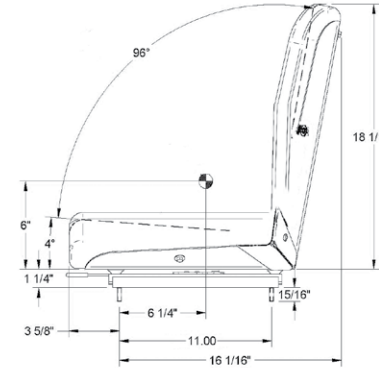
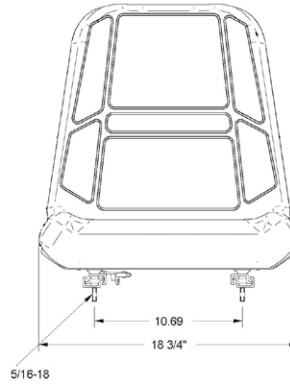
CTP906K

- Weight Adjustment
- Height Adjustment
- Mechanical Suspension
- Backrest angle regulator up to 40°
- Fore and Aft Adjustment handle
- Adjustable armrest



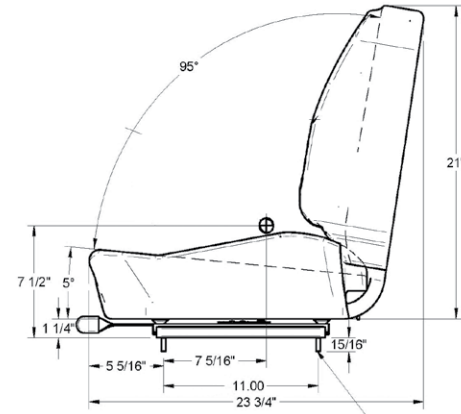
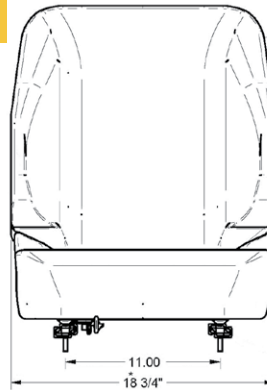
CTP907A

- Fire resistant upholstery materials
- Standard Mounting
- Full foam support



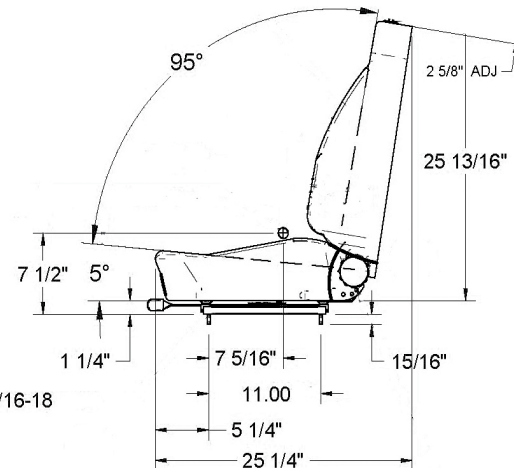
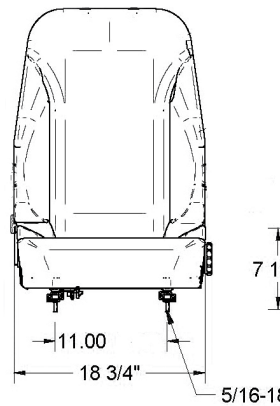
CTP907B

- Fire resistant upholstery materials
- Standard Mounting
- Full foam support
- Lowback support
- Optional arm rest available, Part Number CTP907BA



CTP907C

- Fire resistant upholstery materials
- Standard Mounting
- Full foam support
- Mid-High back support
- Optional arm rest available, Part Number CTP907BA



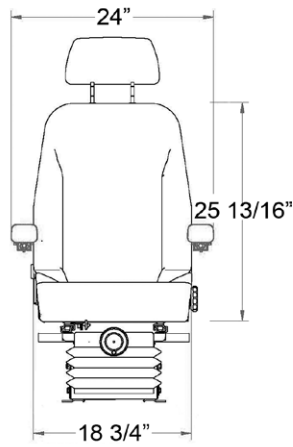
†All Measurements in CM



CTP907D

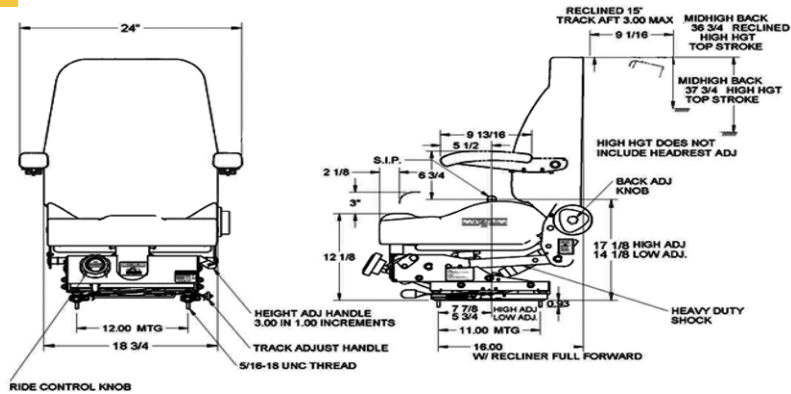
- Vinyl Upholstery
- Height Adjustment
- Mechanical Suspension
- Weight Adjustment
- Optional arm rest available, Part Number CTP907BA

***Arms sold separately**



CTP907E

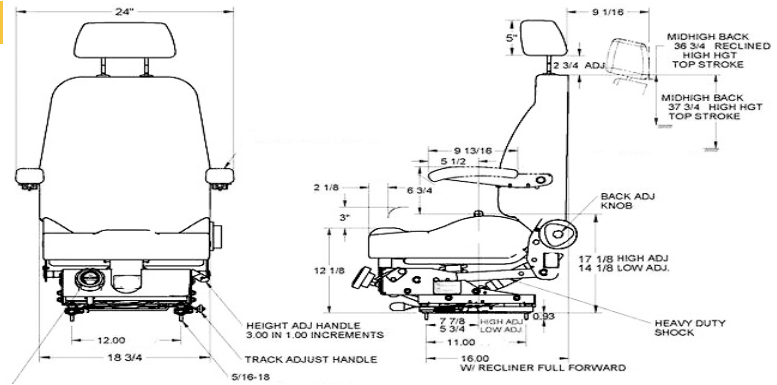
- Patented "knee-action" mechanical suspension
- Built-in, contoured lumbar and thigh support
- High or low-profile backrest
- Easy and fast one-hand control height adjustment with four positive lock positions
- Operator weight adjustments
- Contour comfort cushions
- Backrest angle regulator up to 15°
- Fore/Aft Adjument handle



CTP907G

- Built-in, contoured lumbar and thigh support
- Mid-Highback backrest
- 2-way lumbar
- Mechanical Suspension
- Headrest
- Self-Skinned arms
- Fore/Aft Adjument handle

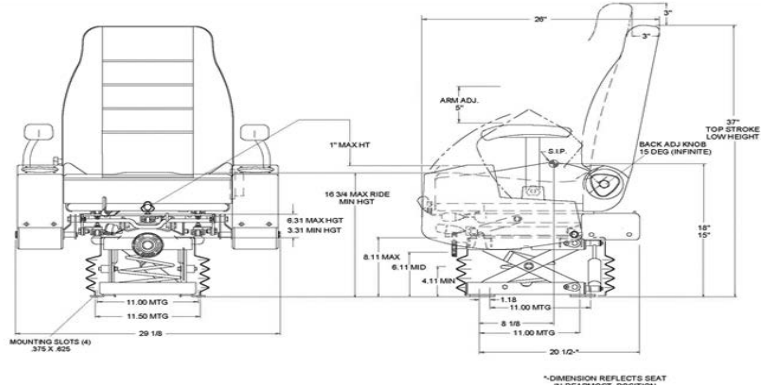
Two weeks for delivery.



CTP907H

- Heavy duty/low profile mechanical suspension
- Adjustable Joystick armrests
- Bellow suspension cover
- Mid-Highback
- 3-inch height adjustment

Two weeks for delivery.



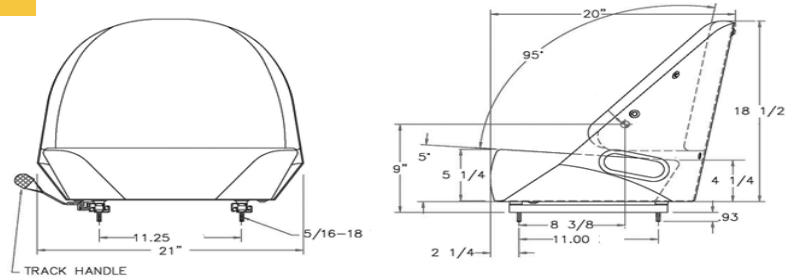
†All Measurements in CM



CTP907J

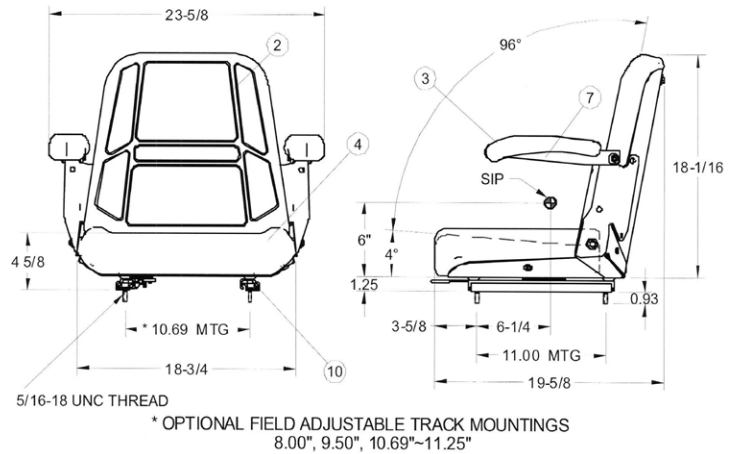
- Deep full foam cushion
- Wrap around back for side support
- Heavy duty vinyl covering
- Contoured, ventilated back
- 7-inch fore/aft slide adjustment

Two weeks for delivery.



CTP907L

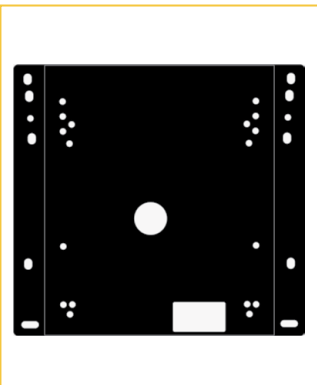
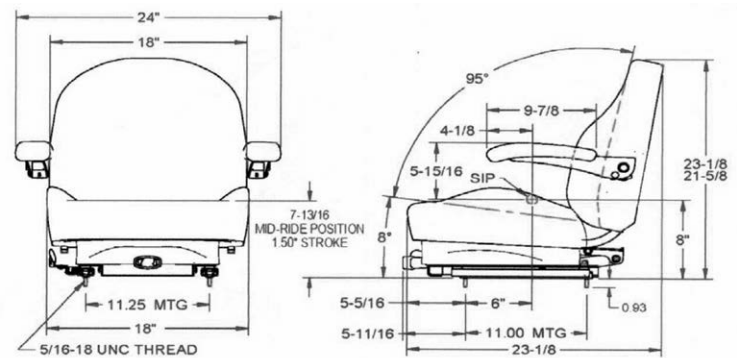
- Fire resistant upholstery materials
- Standard Mounting
- Full foam support
- Armrest



CTP907N

- Low Back
- No Recline
- 32 OZ Black Vinyl
- EVC Cushion Comfort System
- 5" Single Locking Tracks
- Low Profile Mechanical Suspension with 1.5" Suspension Stroke and Skirt
- Mounting 11.25" x 11.00"

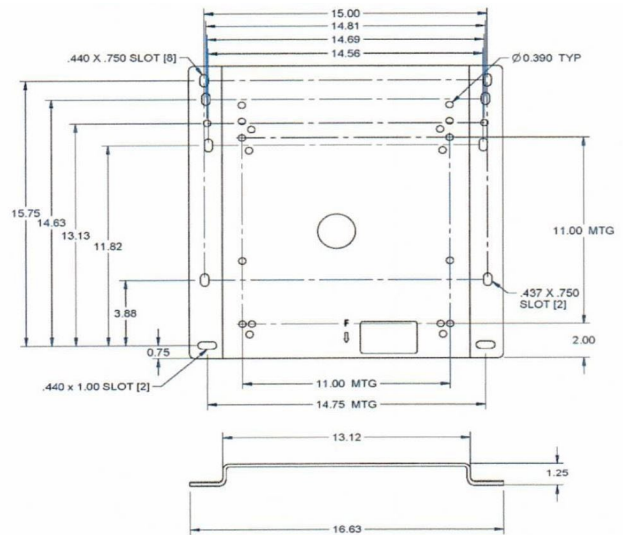
Two weeks for delivery.



CTP907K

- Adapter Plate
- Several Mountings Available

Two weeks for delivery.





CTP907AS

- Heavy Duty Air Suspension



CTP907MS

- Mechanical Suspension

SEATBELT2 ^Δ

- Fully retractable seatbelt
- Two point

^Δ This item is sold for orders outside of the US only. Only for Export.



SUMMARY TABLE OF KEY FEATURES

		CTP906A	CTP906B	CTP906C	CTP906D	CTP906E	CTP906F	CTP906G	CTP906H	CTP906I	CTP906K	CTP907A	CTP907B	CTP907C	CTP907D	CTP907E	CTP907F	CTP907G	CTP907H	CTP907J	CTP907L	CTP907N	
Backrest Angle Regulator		✓		✓	✓				✓	✓	✓												
Weight Adjustment handle		✓		✓	✓		✓		✓	✓	✓				✓	✓	✓	✓	✓				
Height Adjustment				✓	✓				✓	✓	✓				✓	✓	✓	✓	✓				✓
Mechanical Suspension included				✓	✓				✓	✓	✓				✓	✓	✓	✓	✓				
Fold Forward Seat					✓	✓		✓	✓	✓													✓
Handrail						✓		✓															
Headrest					✓				✓	✓	✓							✓					
Slides for Fore and Aft Adjustment							✓		✓		✓	✓	✓	✓		✓		✓		✓			✓
Adjustable Armrest		✓			✓				✓	✓	✓					✓	✓	✓	✓			✓	✓
Document Pouch		✓						✓															
Fore and Aft Adjustment Handle		✓	✓	✓	✓		✓	✓		✓	✓					✓	✓	✓	✓	✓			

WHICH SEAT DO YOU NEED?

QUICK GUIDE TO THE CTP907-SEATS SERIES



Part No.	Description	Machine Model							
		Bull Dozers	Wheel Loader	Skid Steer Loaders	Backhoe Loaders	Vibratory Compactor	Graders	Scrapers	Excavators
CTP907A	Universal bucket seat fitting those applications where a full height seat is not required such as: Fork lifts			216 226 246 248 262	416C 416D 420D/IT 426C 430D	CS323c CS433c	12G 16G		
CTP907B	Log Loaders, loaders, pavers, skidders, crawlers, tractor, cranes (large construction). Perfect for replacing worn out seat on existing seat suspension.		910 910E 936 950		416C 416D 420D/IT 426C 430D	CS323c CS433c	12G 16G		
CTP907C	Log Loaders, loaders, pavers, skidders, crawlers, tractor, cranes (large construction). Perfect for replacing worn out seat on existing seat suspension.		910 910E 936 950						
CTP907D	On & Off highway applications where air is not available including agricultural, construction and large material handling equipment. Bulldozers. Arms sold separately.	D4 D5 D6 D8	966C 926G 950G						
CTP907E	On & Off highway applications where air is not available including agricultural, construction and large material handling equipment. Bulldozers	D4 D5 D6 D8	966C 926G 950G						
CTP907G	On & Off highway applications where air is not available including agricultural, construction and large material handling equipment. Bulldozers	D4 D5 D6 D8	966C 926G 950G						
CTP907H †	Heavy duty, low profile suspension seat. Perfect for Excavators.								300 Series
CTP907J †	For applications such as pavers, rollers and scrapers							613 615 621 623	
CTP907L	Universal bucket seat with arm rest fitting those applications where a full height seat is not required such as: Fork lifts			216 226 246 248 262	416C 416D 420D/IT 426C 430D	CS323c CS433c	12G 16G		
CTP907BA	Universal arm rest. Compatible with CTP907B, CTP907C and CTP907D seats.								
CTP907AS	Heavy duty air suspension								
CTP907MS	Mechanical suspension								

† Allow two weeks for delivery.

* Other part no. not included in the list are available. Please contact your sales representative if you have any questions.

Part Numbers are used for reference purposes only